

5.3 Cleaning the Printer

As discussed earlier, the following parts must be cleaned each time the toner container and waste toner box are replaced:

- Paper transfer unit
- Main charger unit

In addition to this, it is recommended that these parts are cleaned periodically at least once a month.

5.3.1 Cleaning the Paper Transfer Unit

Print problems such as soiling of the reverse side of printed pages may occur if the paper transfer unit becomes dirty. To clean the paper transfer unit, the following tool must be used:

- Cleaning cloth (included in the toner kit)

Clean the paper transfer unit according to the procedure that follows:

- 1 Open the front cover.

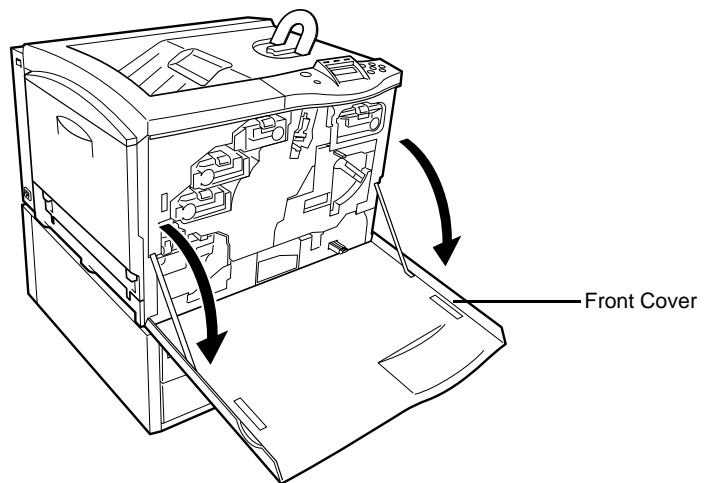


Figure 5-10

- 2 Grasp handle on the paper transfer unit and slowly pull it out.

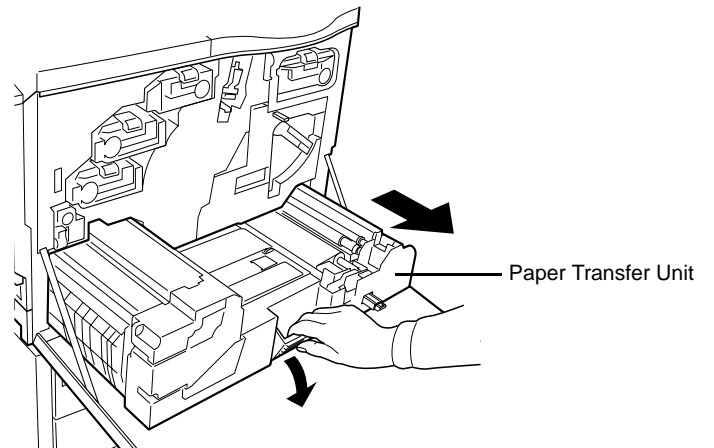


Figure 5-11

- 3 Clean the registration roller (metal) using the cleaning cloth.



Note

Be careful not to touch the transfer belt (brown) during cleaning as this may adversely affect print quality.

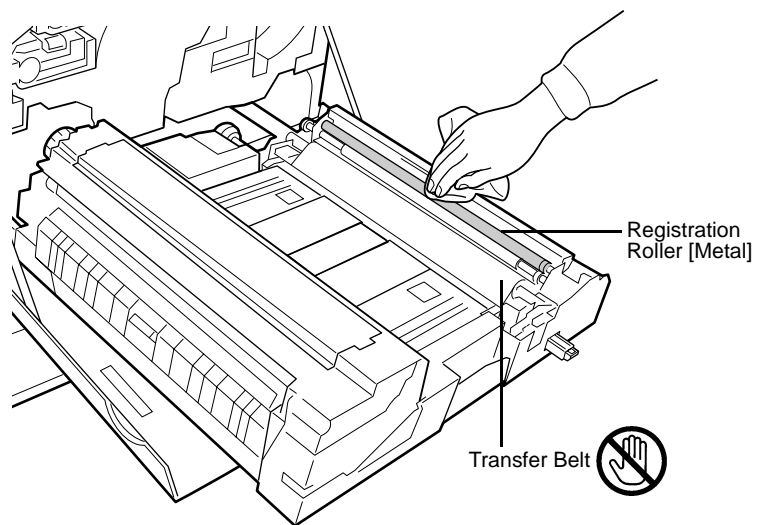


Figure 5-12

- 4 Clean the rubber belts (black) using the cleaning cloth.

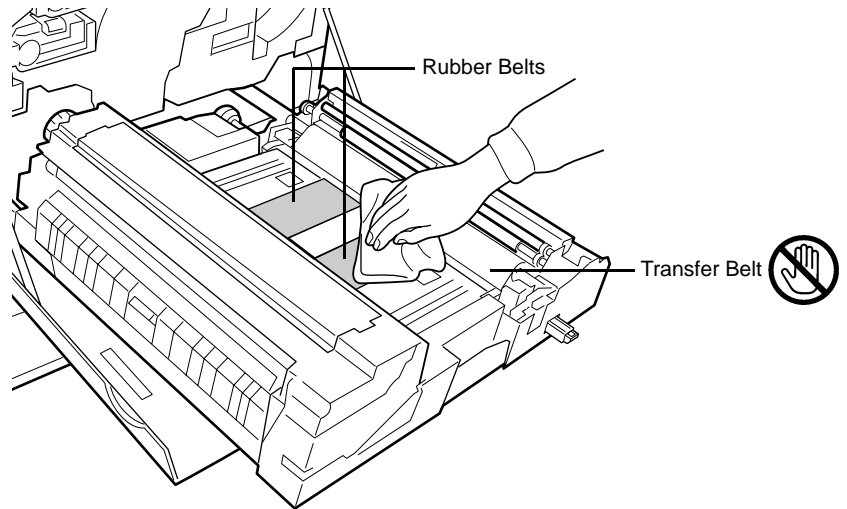


Figure 5-13

- 5 Push the paper transfer unit back in completely.

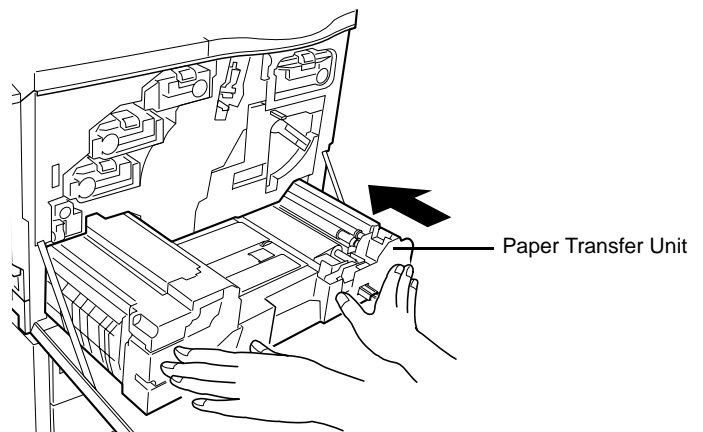


Figure 5-14

- 6 Close the front cover.

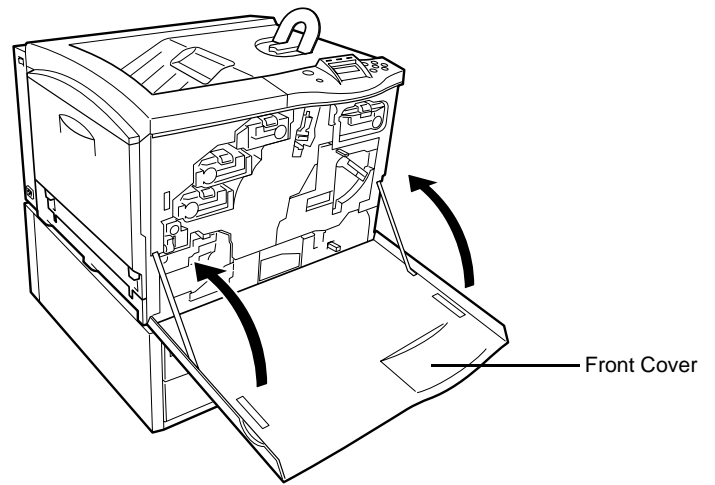


Figure 5-15

5.3.2 Cleaning the Main Charger Unit

The main charger unit needs to be cleaned periodically as it gets contaminated with dioxide after a long usage. The main charger is comprised of two main parts — the wire and the grid — which should be cleaned separately as instructed below.

To clean the main charger unit, proceed as follows:

- 1 Open the front cover.
- 2 First we clean the main charger wire. Grasp the tab of the cleaning knob (green-colored). Gently pull the cleaning bar out and push it back in. Repeat this 3 to 5 times.

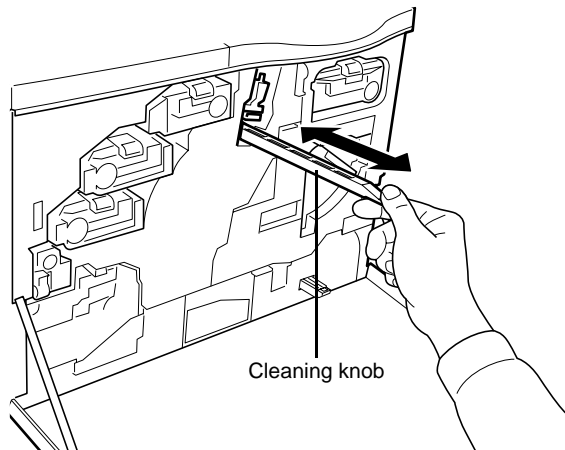


Figure 5-16

- 3 Next, we clean the main charger grid. Take the grid cleaner out of the toner kit. Take the grid cleaner out of the protective bag and remove the cap.

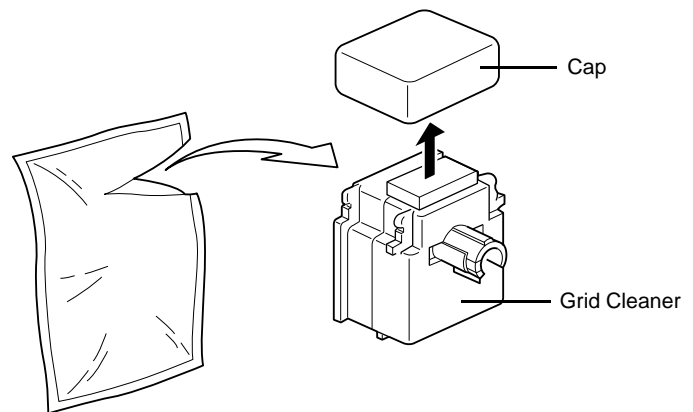


Figure 5-17



Note

The pad of the grid cleaner contains water. Clean the grid quickly so that the pad may not dry off.

- 4 Attach the grid cleaner to the printer with the pad facing up.

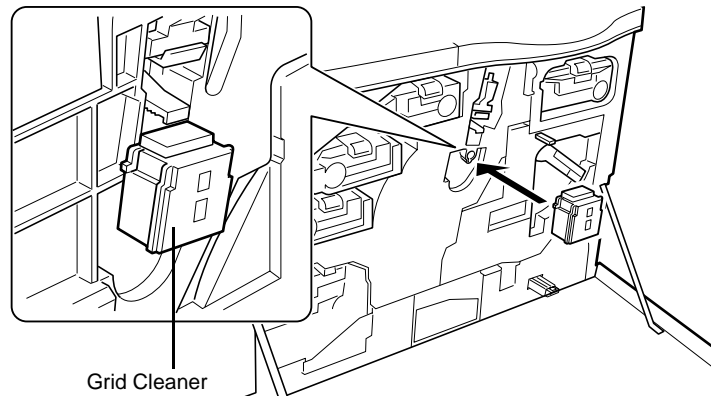


Figure 5-18

- 5 While pushing the main charger unit lock lever upward as shown in *Figure 5-19*, slightly lift the main charger unit, and gently pull the gray-colored main charger handle out and push it back in. Repeat this 2 to 3 times. These movements clean the grid.

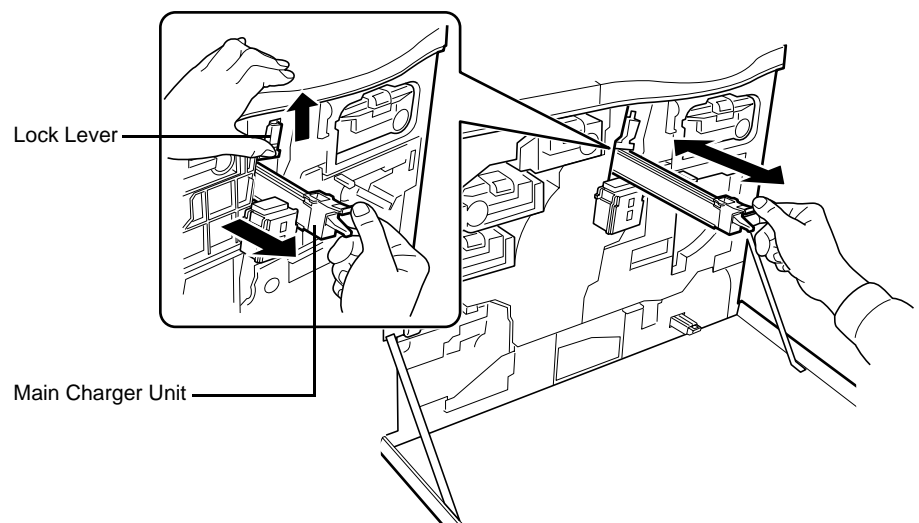


Figure 5-19

- 6 After cleaning is finished, remove the grid cleaner from the printer and discard it. The grid cleaner cannot be reused. Close the front cover.



Note

If the front cover does not fully close, although the printer shows Ready, open the front cover and push the main charger unit until it is fully inserted in the printer.