

5 Maintenance

Cleaning the Machine

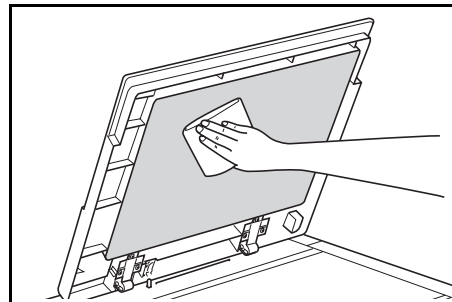


Caution

For safety purposes, always remove the power plug from the outlet when performing cleaning operations.

Cleaning the Original Cover

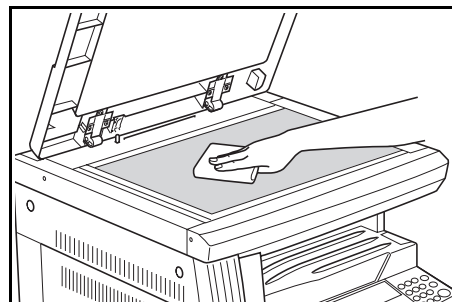
Open the original cover and wipe the back side of the cover with a soft cloth dampened with alcohol or mild neutral detergent.



Important! Never use thinner or other organic solvents.

Cleaning the Platen

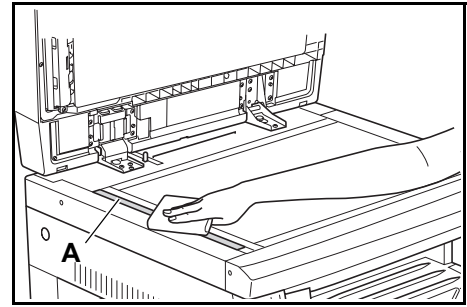
Open the original cover and wipe the platen with a soft cloth dampened with alcohol or mild neutral detergent.



Important! Never use thinner or other organic solvents.

Cleaning the Slit Glass

If copies appear soiled, such as black lines appearing on the copy image while using the optional document processor, the slit glass **A** is dirty. Wipe the slit glass with a dry soft cloth.

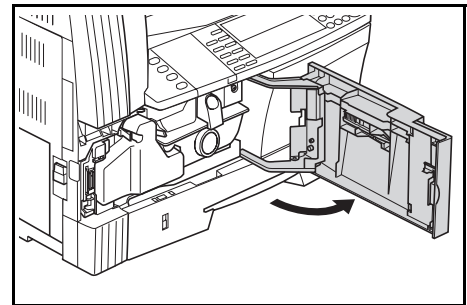


Important! Never use water, thinner, organic solvents or alcohol.

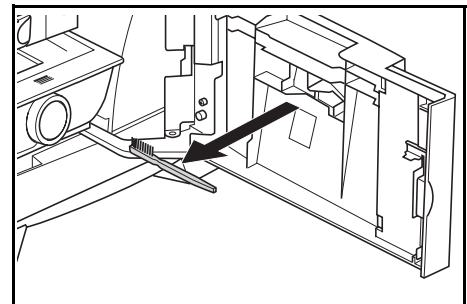
Note For cleaning the inside of the main body, see *Replacing the Toner Container and the Waste Toner Box* on page 5-5.

Cleaning the Separation Needle

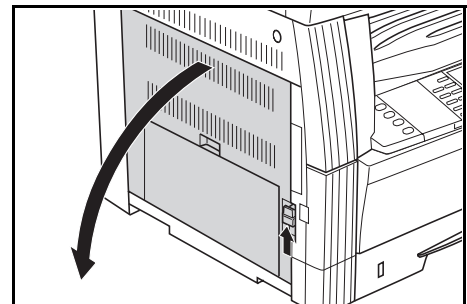
1 Open the front cover.



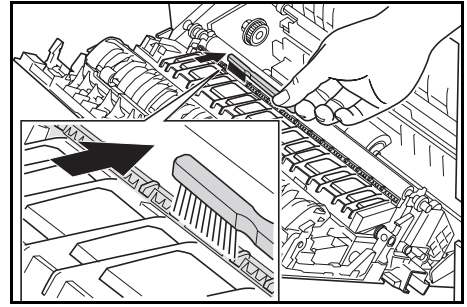
2 Remove the cleaning brush.



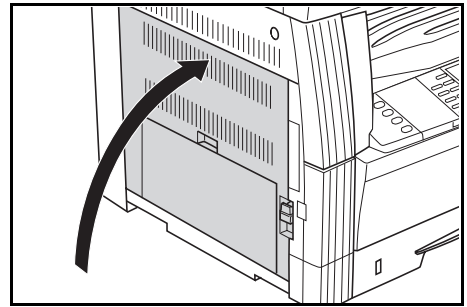
3 Pull the left cover handle up to open the cover.



- 4 Move the brush from the left side to the right side along the separation needle as shown in the illustration to remove any dirt or dust.

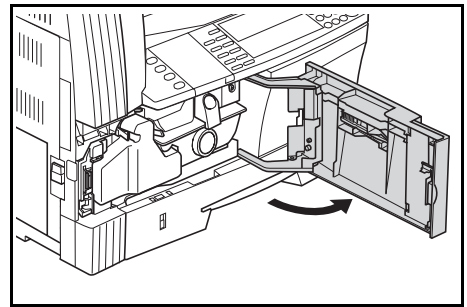


- 5 Close the left cover.

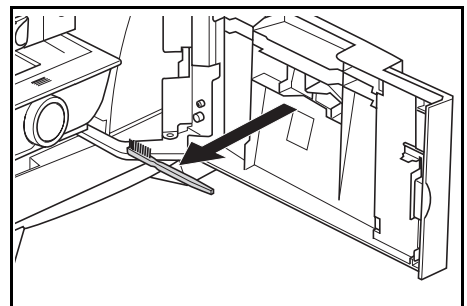


Cleaning the Transfer Roller

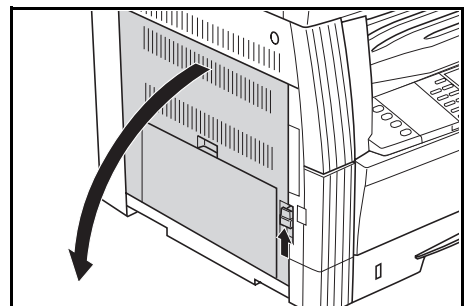
- 1 Open the front cover.



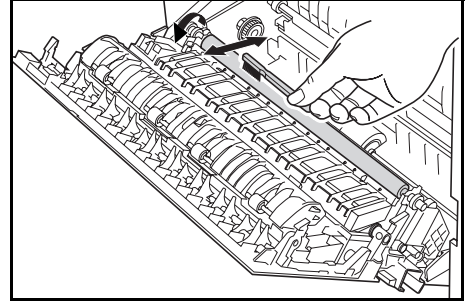
- 2 Remove the cleaning brush.



- 3 Pull the left cover handle up to open the cover.



- 4 While turning the left transfer roller gear to turn the roller as shown in the illustration, move the brush from the left side to the right side along the roller to remove any dirt or dust.



- 5 Close the left cover.

